



# Connecticut Precast Corp.

Manufacturers of Concrete Products

555 Fan Hill Road, Monroe, CT 06468  
 Telephone (203) 268-8688 Fax (203) 452-1007

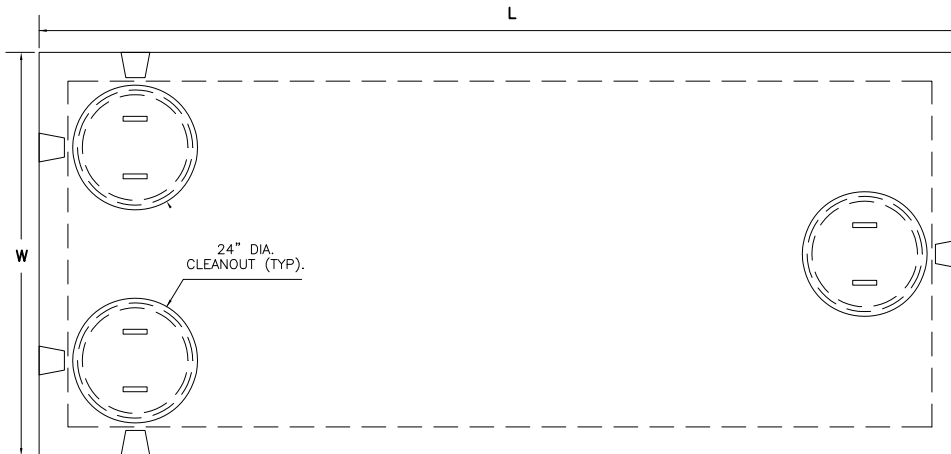
www.ctprecast.com

## Pump Chamber

MODEL NO.	LIQUID CAPACITY	LENGTH L	WIDTH W	INVERT I	HEIGHT H	WEIGHT (LBS.)
P3500(7X16)	3500	17'-0"	8'-0"	5'-0"	6'-5"	36458

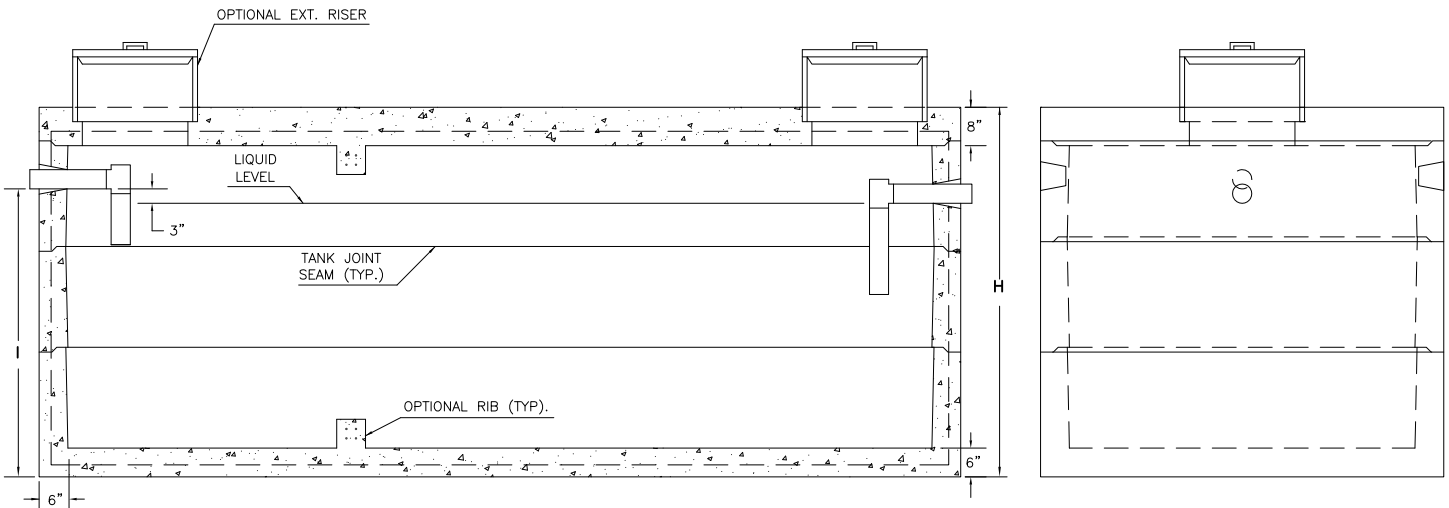
**PRECAST CONCRETE**  
**3500 Gallon Capacity**  
**7'-0" X 16'-0" (H2O Loading)**

Pump Chamber



**NOTES:**

1. Concrete - 4,000 PSI @ 28 DAYS.
2. Meets or exceeds state and local requirements.
3. All shi lap joints sealed with Butyl Rubber.
4. Load Capacity: AASHTO HS-20.
5. Single compartment chamber.
6. Side inlet pipes shall extend to clean-out cover.
7. Maximum fill over top of tank - 3 feet.
8. Chamber shall be marked with manufacturer name, and phone no., tank capacity, date of manufacture, and ASTM C1227 conformance.
9. Invert shown in table for  $\phi 4"$  PVC. Pipe locations and sizes may change due to project conditions.



\*\*=Nominal Dimension. Slight variation in dimensions may occur due to tapering for manufacturing purposes.